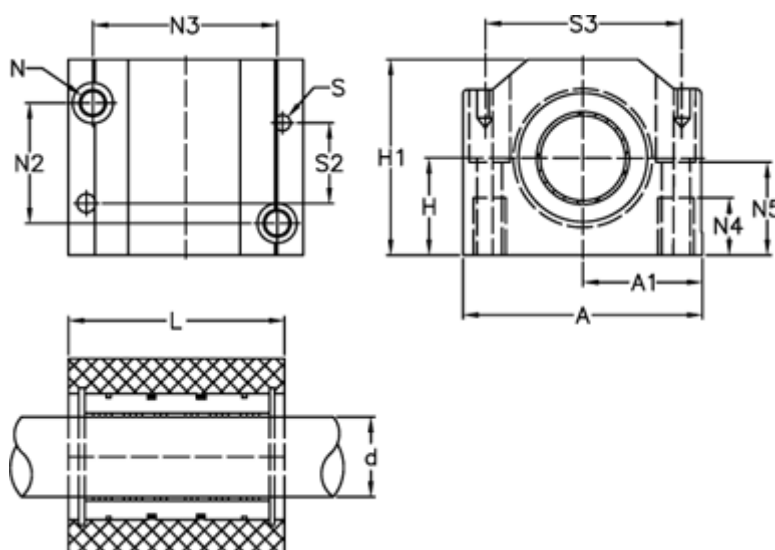


Article number: 50300403

Description: Closed pillow block PMC 40 E  
FM standard bearing included

## Measures



A = 108

A1 = 54

H = 45

H1 = 91

L = 91

N = M12 x1,75

N2 = 58.15

N3 = 86.15

N4 = 26

N5 = 44

S = 8

S2 = 35

S3 = 90

Static load (kg) = 3360

Weight (kg) = 1.8460000000000001